

Installation Instruction

Applicable models:
FIT-SM/TRK/GU10

Surface Mount Fixed Track

WARNING

1. Be sure the electricity to the wires you are working on is shut off; either the fuse is removed or the circuit breaker is turned off. Turning the power off using the light switch is not sufficient to prevent electrical shock.
2. Do NOT install or use the light fixture if any part is missing or damaged. Contact your dealer for replacement or missing parts.
3. For use with ceiling mounted only.

CAUTION

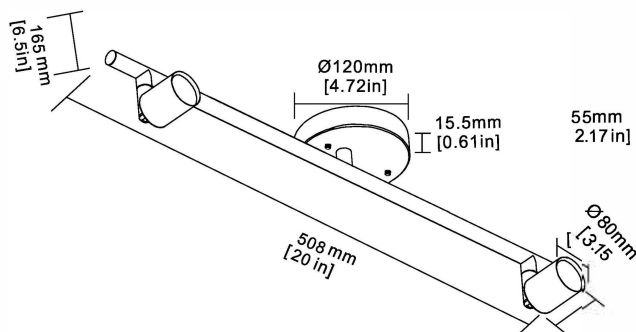
HOT SURFACE! The luminaire is hot when the power is on, wait at least 5min to touch it after the power is off.

SPECIFICATIONS

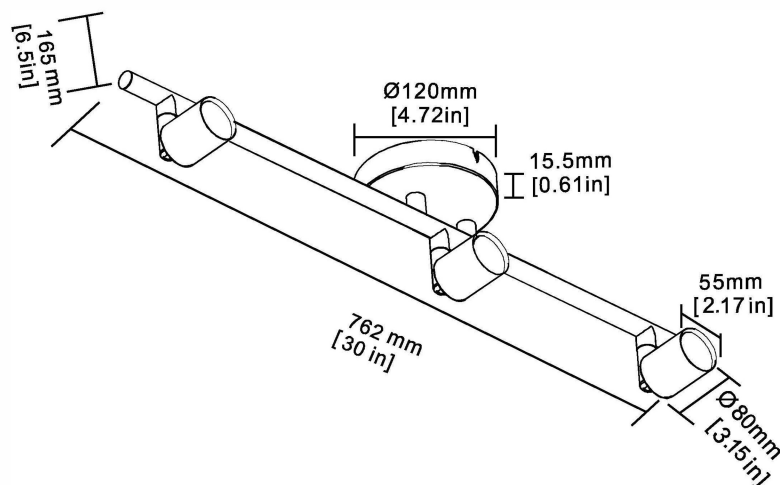
Model	Size(L*W*H)	Voltage	Bulb Base	Housing Material	Finish Type
FIT-SM/TRK/GU10/2H	20*4.72*6.5in	120V	GU10	IRON	Black / White
FIT-SM/TRK/GU10/3H	30*4.72*6.5in	120V	GU10	IRON	Black / White

DIMENSIONS

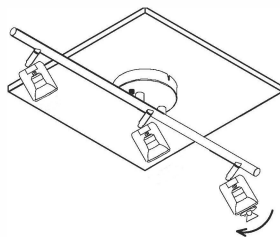
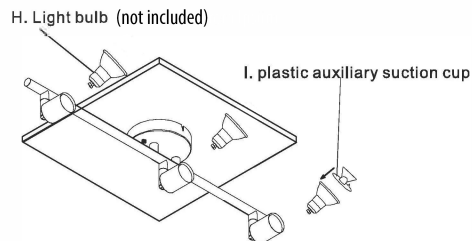
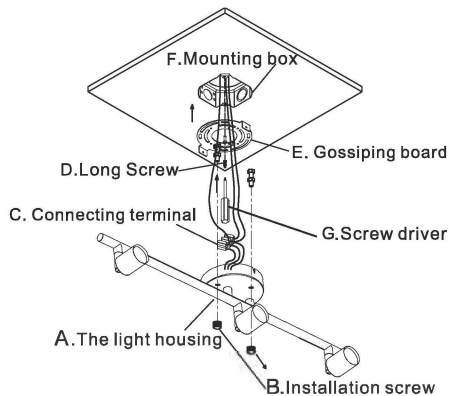
2 heads



3 heads



INSTALLATION DIAGRAM



1. Place the gossipping board(E) on the mounting box(F), align the installation hole and place screws, adjust the direction of the gossipping board(E), and then use the screw driver (G) to cover long screws (D)and tighten them on the mounting box(F) .

2. Take out the live wire, zero wire and ground wire of the mains from the mounting box(F) and then connect the live wire, zero wire and ground wire of the mains to the corresponding lamp live wire, zero wire and ground wire connecting terminals(C) .

3.Put the connect terminals(C) in the mounting box(F), adjust and align the mounting holes of the lighting housing(A) and the gossipping board(E) then place the installation screws(B) on the corresponding holes of the lighting housing and the gossipping board, and then tighten them with the screw driver(G).

4. Use the plastic auxiliary suction cup(I) adsorb the Light bulb (H), fix the Light bulb to the GU10 light bases and then twist it to a proper position. Power on after completing the installation steps.